

Modulus Fixed Leg Table

Assembly Instructions

Modulus Fixed Leg Table

Components List

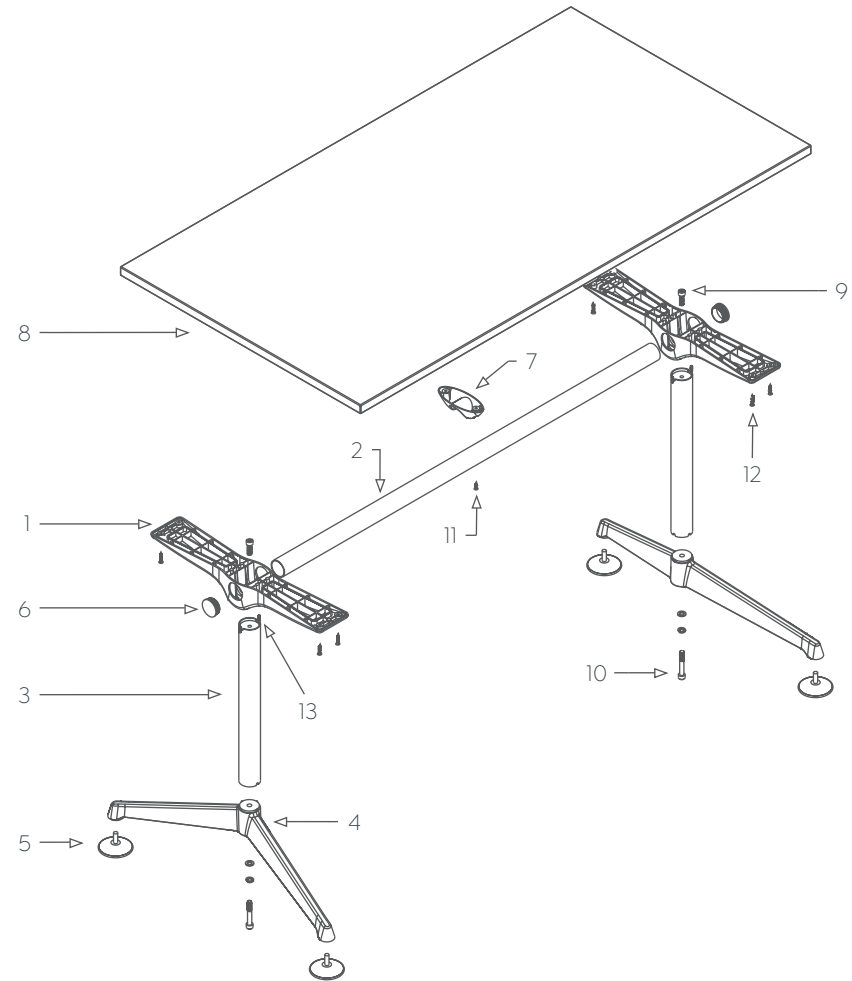
Components

	QTY	Part No.
1 Die Cast Upper Wrist	x2	MODZA06
2 Top Rail	x1	FWTOPRAIL
3 Leg-Pole Tube Ø51	x1	MODZA22-695
4 Fixed Foot	x2	
5 Foot Glide	x4	MODZA25
6 Top Rail Plastic Plug	x2	MODZA18
7 Plastic Support	x1	MODZA16
8 Worktop	x1	

Screws

	QTY
9 M10 x 35mm	x2
10 M10 x 65mm	x2
11 M4 x 20mm Self Tapping	x2
12 M5 x 25mm Self Tapping	x8
13 M8 x 16mm Grub Screw	x4

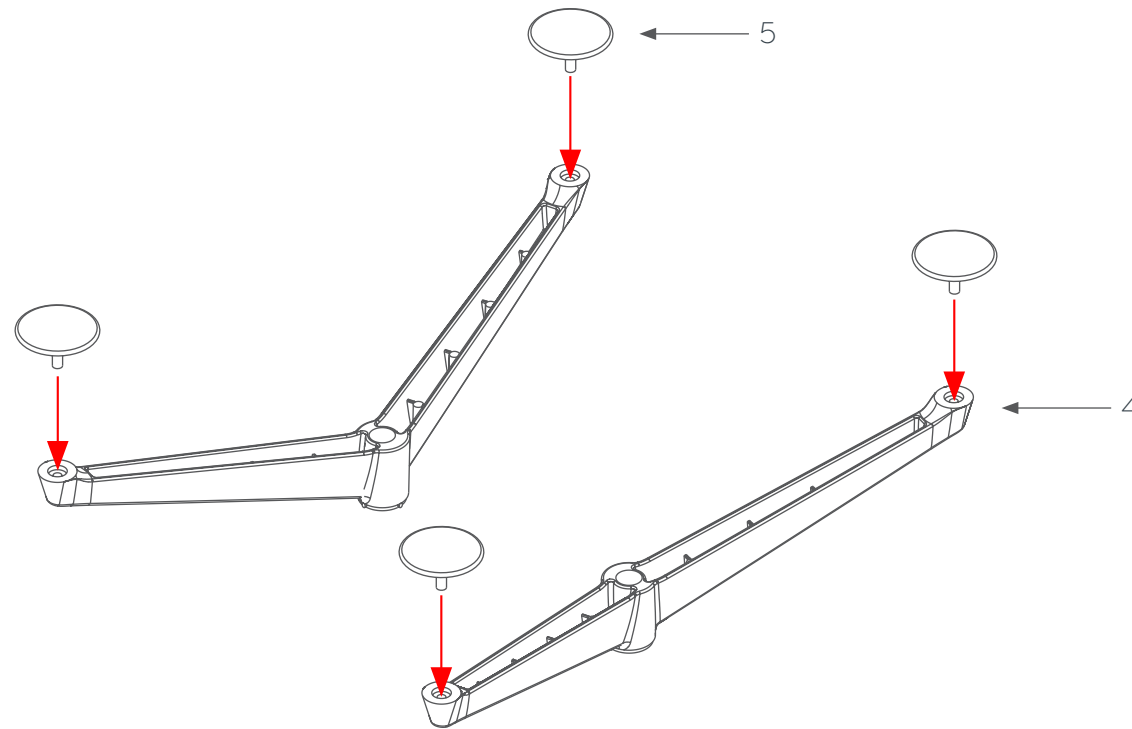
Tools Required: Powered Screwdriver



Modulus Fixed Leg Table

Assembly Instructions

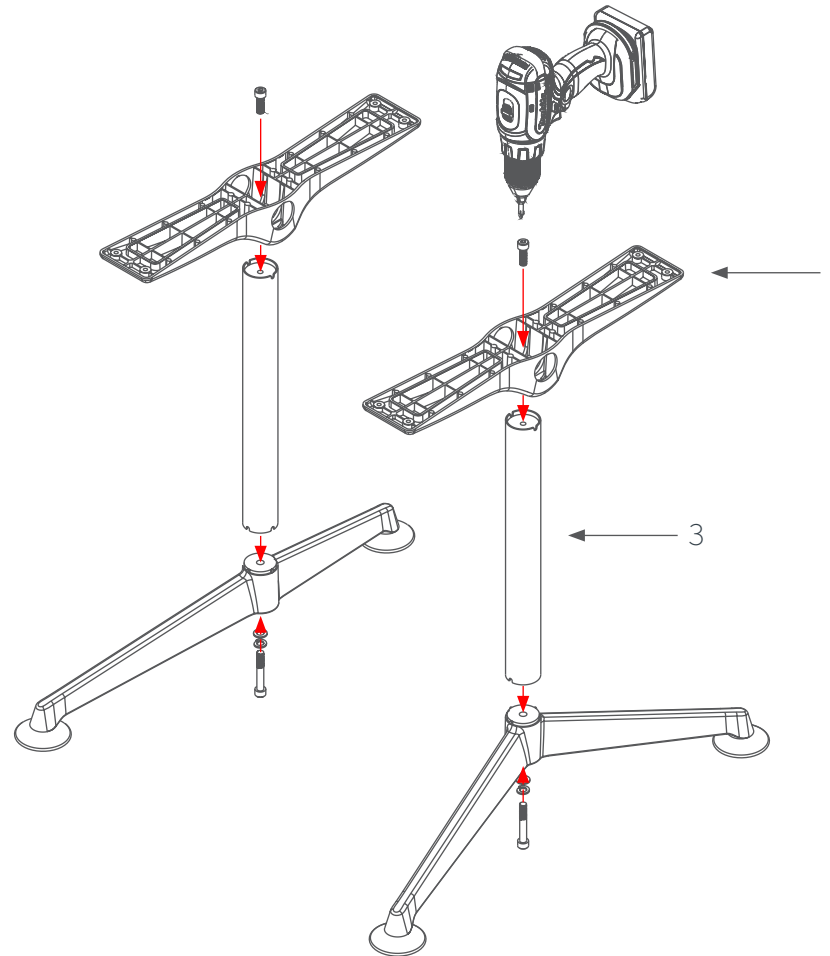
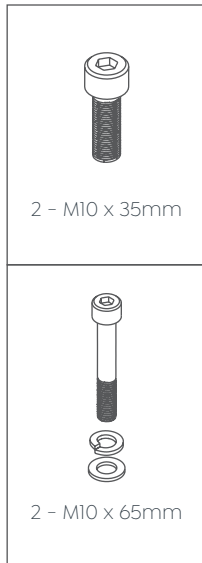
STEP 1:



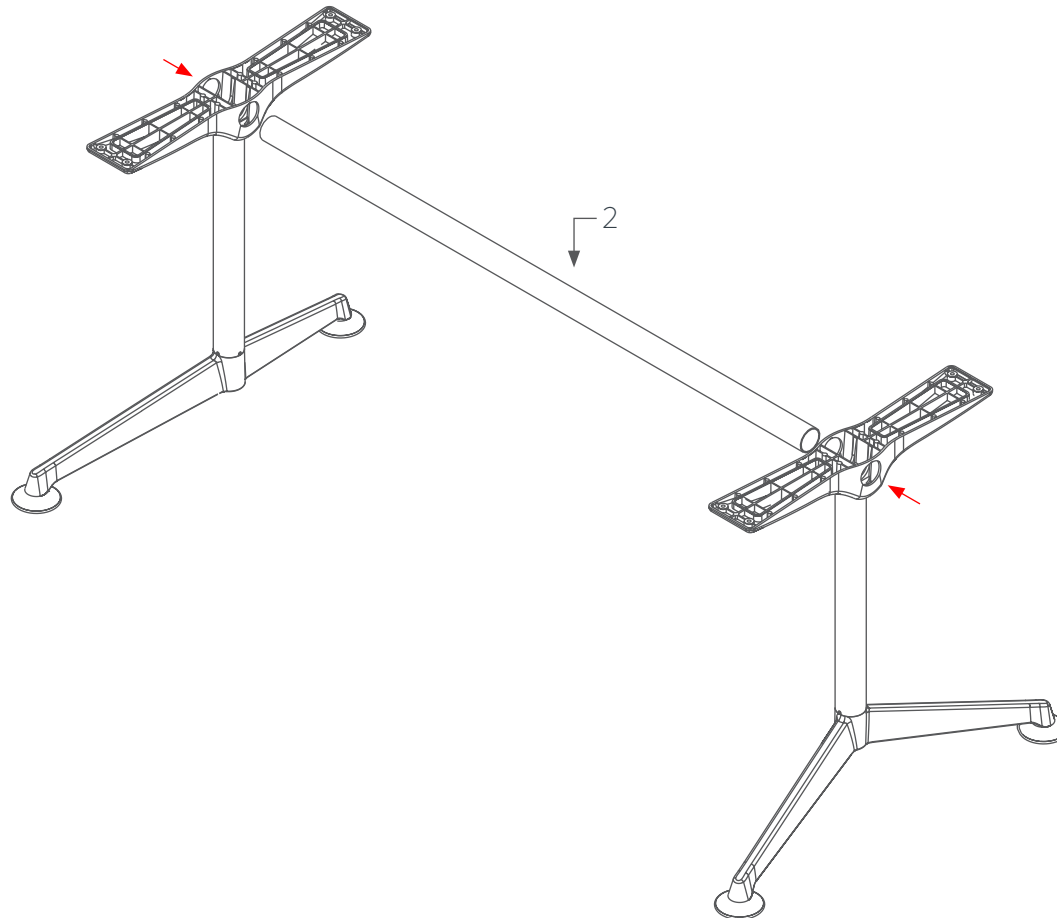
Modulus Fixed Leg Table

Assembly Instructions

STEP 2:



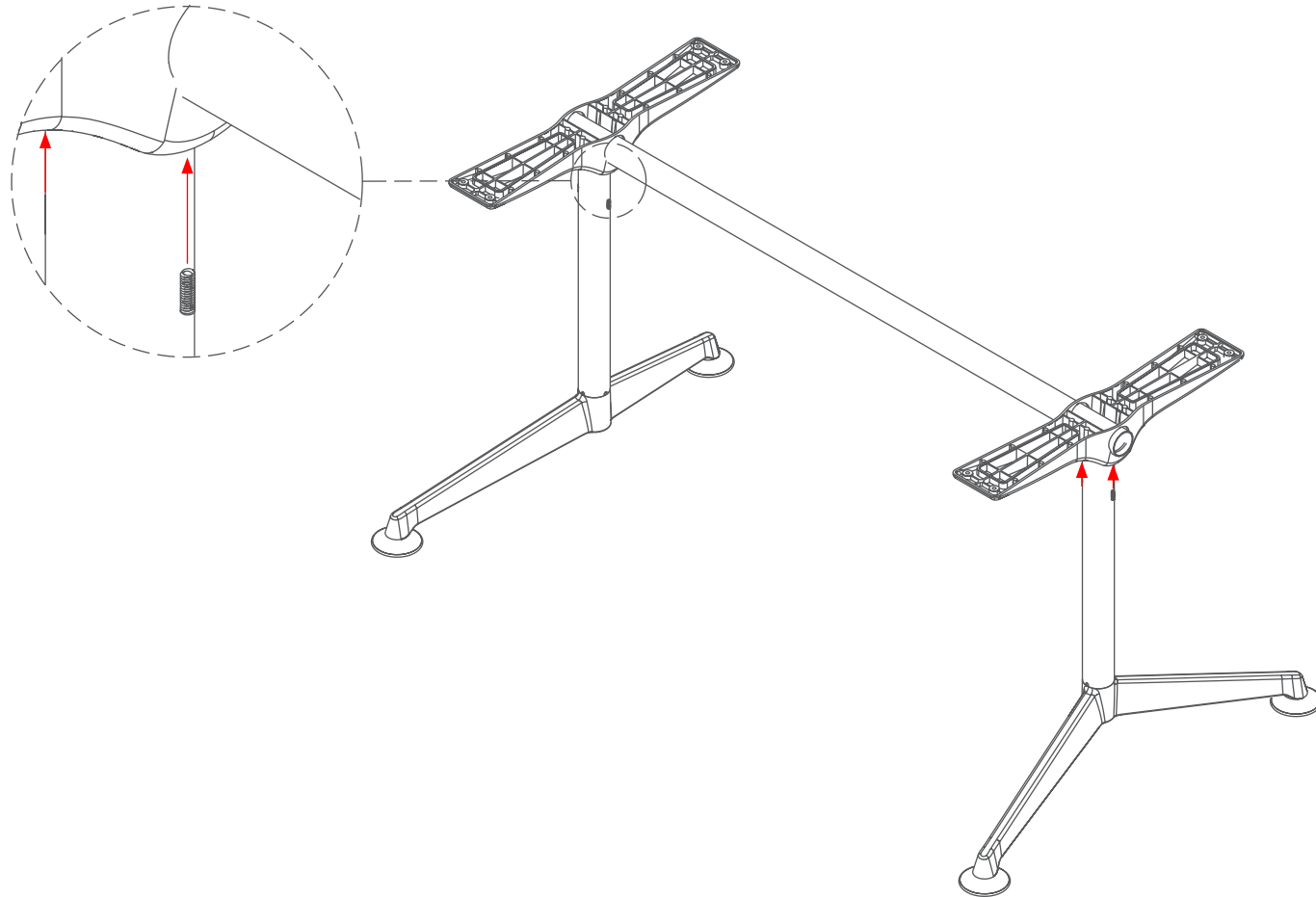
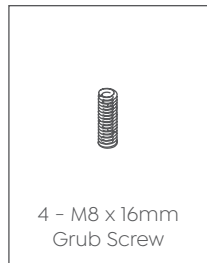
STEP 3:



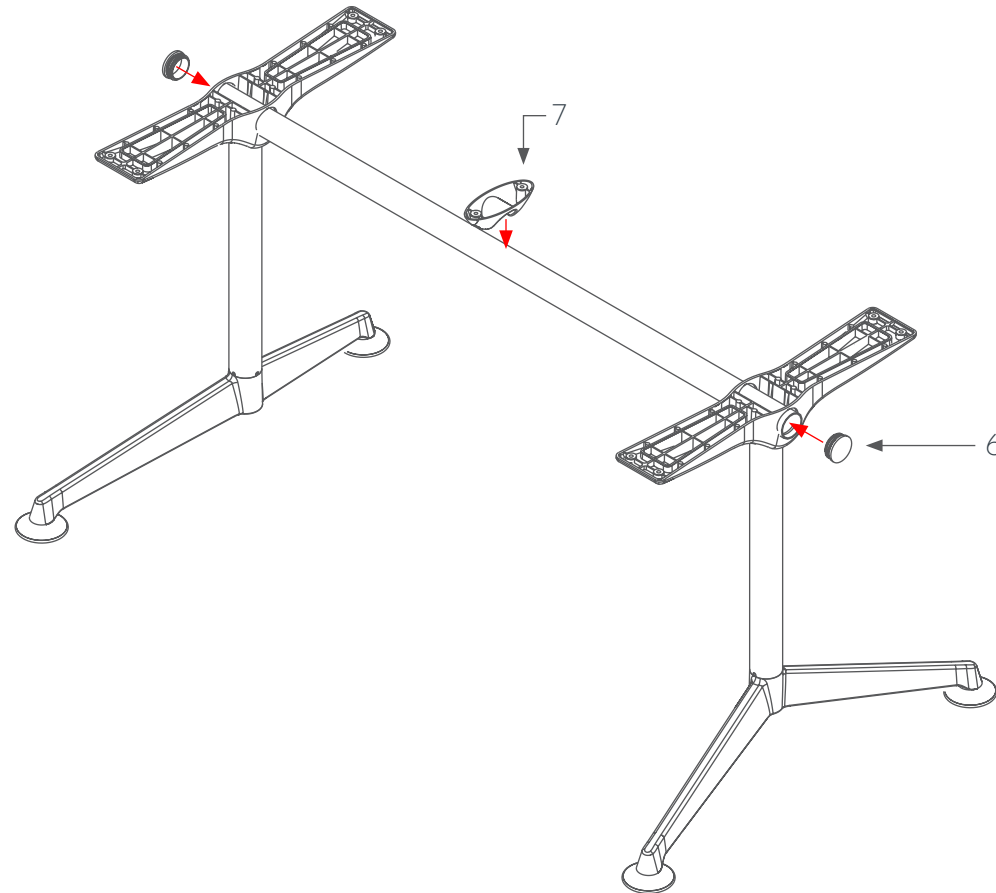
Modulus Fixed Leg Table

Assembly Instructions

STEP 4:



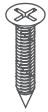
STEP 5:



Modulus Fixed Leg Table

Assembly Instructions

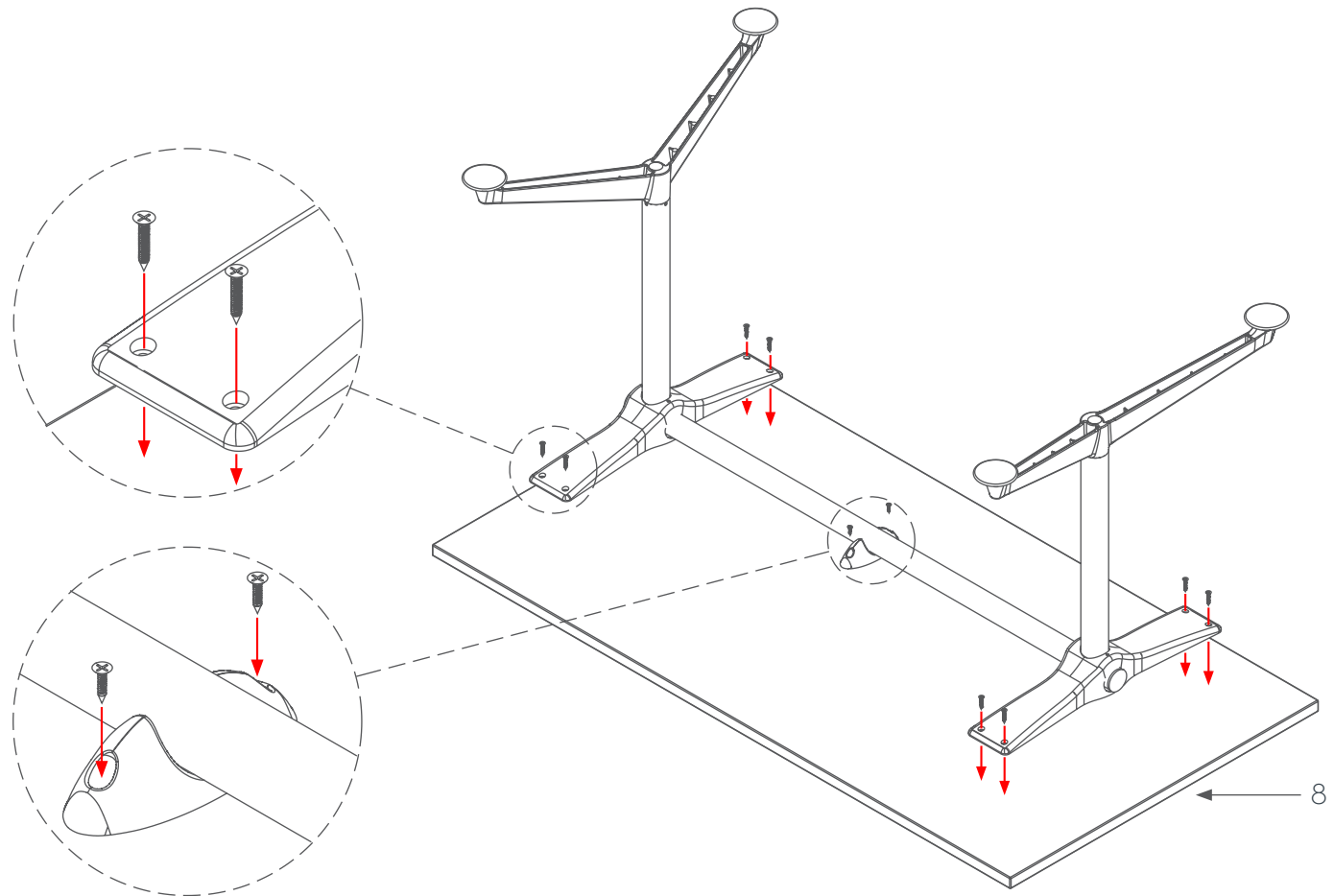
STEP 6:



8 - M5 x 25mm
Self Tapping



2 - M4 x 20mm
Self Tapping



Modulus Fixed Leg Table

Assembly Instructions

Complete:

